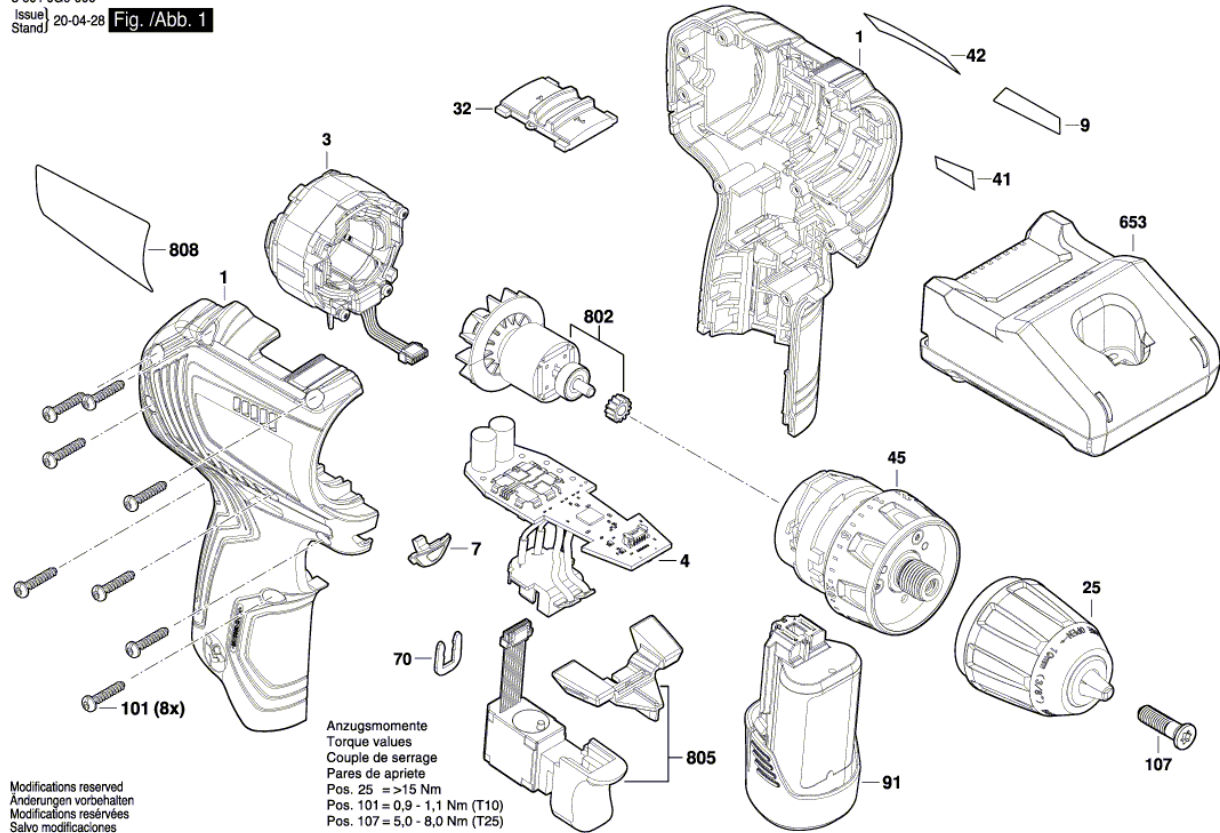


Illustration - Type - E

3 601 JG9 000  
 Issue/ 20-04-28  
 Stand/ **Fig. /Abb. 1**



Modifications reserved  
 Änderungen vorbehalten  
 Modifications réservées  
 Salvo modificaciones

Anzugsmomente  
 Torque values  
 Couple de serrage  
 Pares de apriete  
 Pos. 25 = >15 Nm  
 Pos. 101 = 0,9 - 1,1 Nm (T10)  
 Pos. 107 = 5,0 - 8,0 Nm (T25)

## Spare parts list

Item	Part Number	Description	Illustration
1	1 605 806 5LV	Housing	1
3	1 619 P14 586	Stator	1
4	1 607 233 5EZ	Electronic Module	1
7	2 609 101 035	Lens	1
9	1 601 11C 2RG	Manufacturer's nameplate GSR12V-30	1
25	1 600 A01 03S	Keyless Chuck	1
32	1 600 A01 2MM	Switchover Unit	1
41	1 601 11C 25W	Sticker	1
42	1 601 11C 2M4	Sticker	1
45	1 600 A01 2MN	Gear Box	1
70	2 609 110 537	Clip	1
91	1 607 A35 0C5	Battery Pack GBA 12V 2.0Ah Li SCM	1
101	2 609 110 201	Torx Flat-Head Screw 3x16	1
107	2 603 421 229	Countersunk-Head Screw M6x23 LEFTHAND THREADS	1
653	2 607 226 219	Fast Charger EU GAL 12V-40	1
802	1 600 A01 C9M	Motor Spare Parts Set	1
805	1 607 200 37K	Switch	1
808	1 601 11A 61Z	Nameplate	1